

FILE: J:\CUSTDWG\CATRL\CD-04502

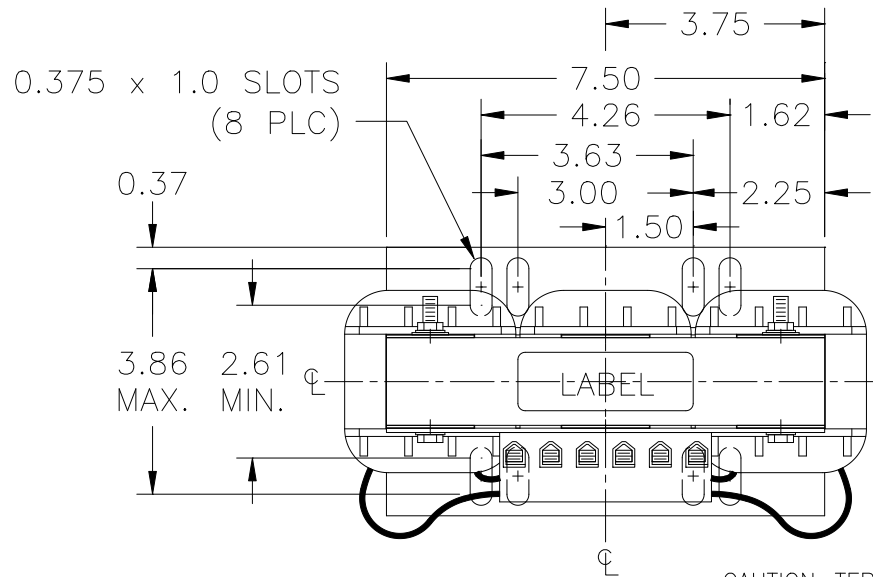
INDUCTANCE

0.7 mH

WEIGHT

26

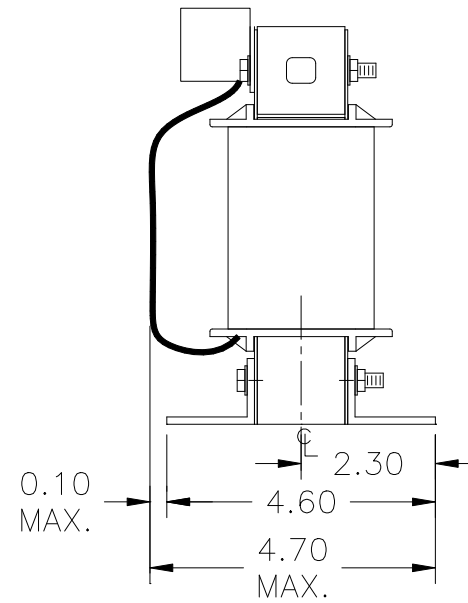
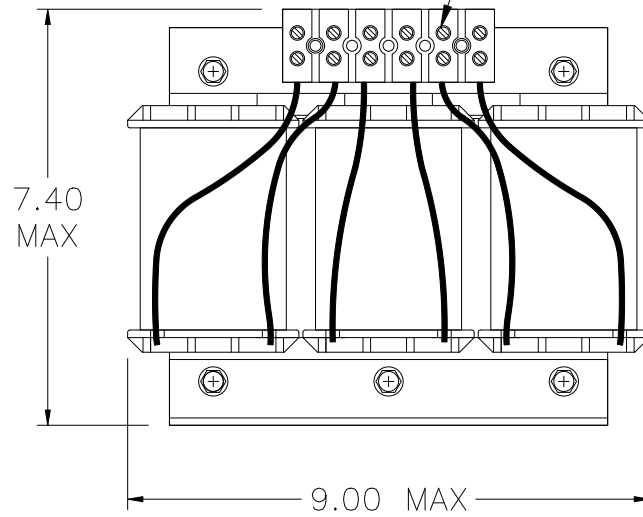
NO.	CHANGE DESCRIPTION	BY	DATE	C'K'D
-----	--------------------	----	------	-------



WIRE RANGE: 18-4 AWG

NOTE:
CENTER LINE REPRESENTS
CENTER OF REACTOR CORE

CAUTION-TERMINAL SCREW TIGHTENING
TORQUE: 16 in-lb MAX.



UNLESS OTHERWISE SPECIFIED, DIMENSIONS ARE IN INCHES [mm] AND TOLERANCES ARE:

DECI. FRAC.

ANGLES DRILLED HOLES

PART NAME: 3-PHASE REACTOR

DESCRIPTION: OUTLINE DIMENSION

FINISH:

MTE CORPORATION
MENOMONEE FALLS, WISCONSIN

RL-04502

REV.
13

SCALE	NTS	DATE	04/06/04	C'K'D	BGS
REF.		DR. BY	BGS	APP'D	BGS